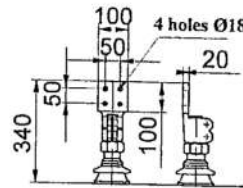
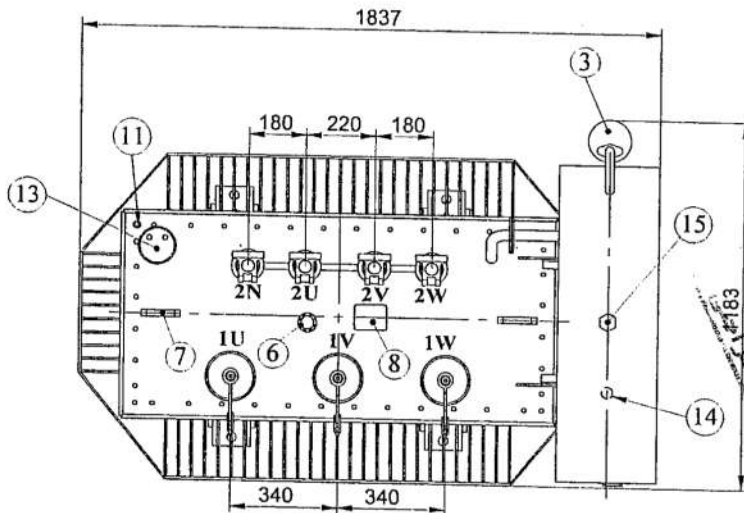


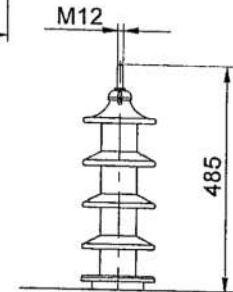
- 1) Oil Conservator
- 2) Magnetic Oil level indicator (without contact)-L=124
- 3) Dehydrating breather (G.D-603)
- 4) LV Bushing DT1/2000 (GD-333) (DIN 42530)
- 5) HV Bushing 30NF250 (G.D-334) (DIN 42531)
- 6) Off circuit tap changer
- 7) Lifting lugs for complete transformer & active part
- 8) Terminal sheet
- 9) Rating plate
- 10) Oil drain & down sampling device (DIN42551)
- 11) Earthing screw M12
- 12) Pulling lug $\phi 30$
- 13) Oil thermometer (with alarm & trip contacts)-R1"
- 14) Drain for conservator
- 15) Filling cap for conservator
- 16) Wheels (angle for rotation 90°)(G.D-502)

Weights :

Core & Winding : 1104 kg
 Untanking : 1419 kg
 Oil : 668 kg
 Total : 2736 kg



DT1/2000



30NF250

Voltage ratio: $33 \pm 2 * 2.5 \% / 0.4 \text{ KV}$
 Vector group: Dyn1
 Frequency: 50 Hz
 Cooling mthod: ONAN
 Transformer color: RAL7032

موديل 183
 11/1/19
 11/1/19

Comment :	Tolerances according to:	Superficial Tolerances	Ordered by	Power
	DIN ISO 2768-C	DIN ISO 1302	نرمال بهينه	800 kVA R30
	95 Date	Name	Title	Scale
	Dsgn 9.15	Ahmed	Outline Drawing	1/21
	Cntrl 9.16	Ahmed	Drawing no.	Page
Appr 9.17	Ahmed	KTD018096	1/1	
Index	Changes	Date	Name	Appr

