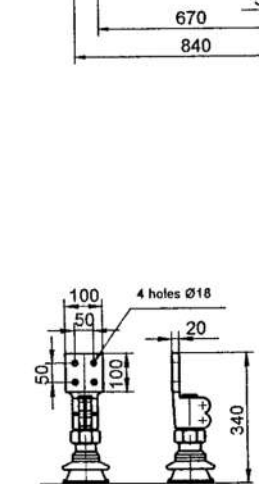
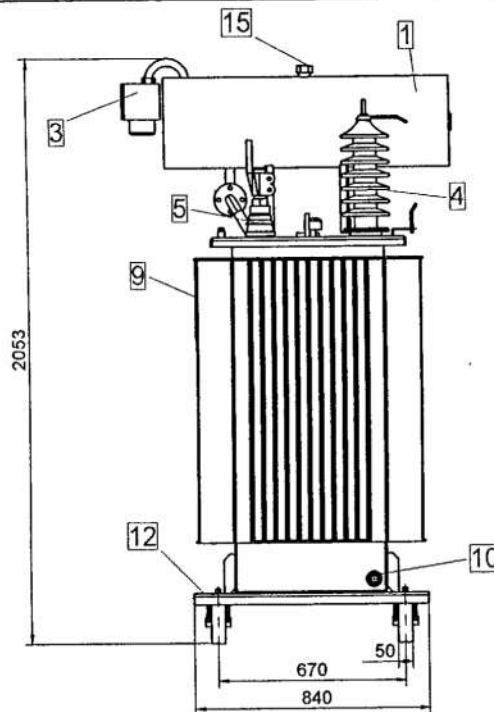
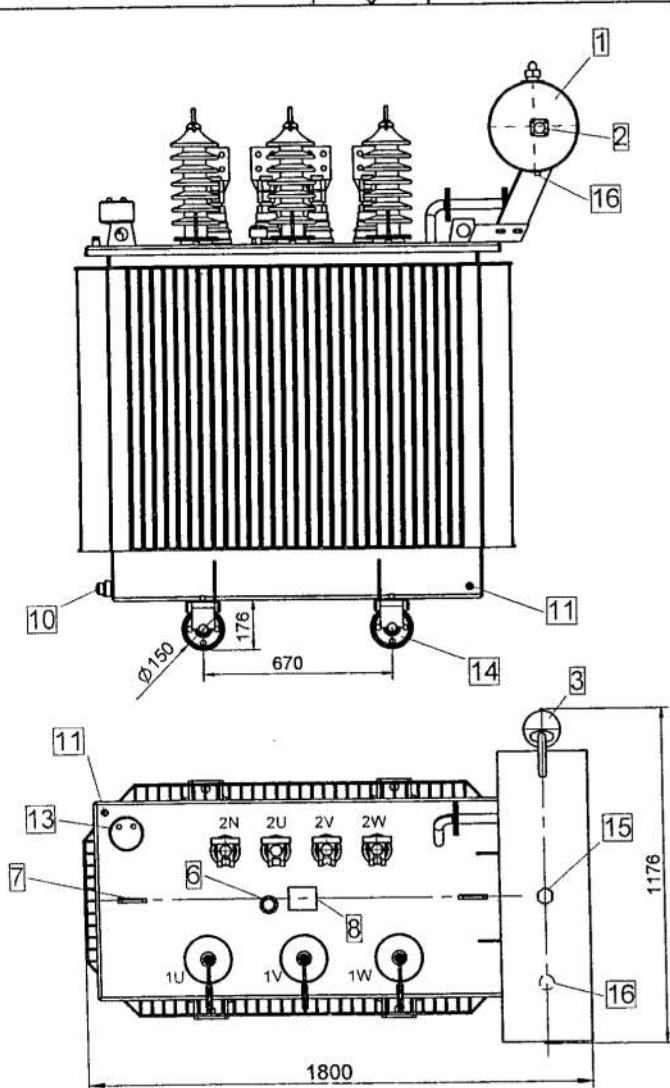


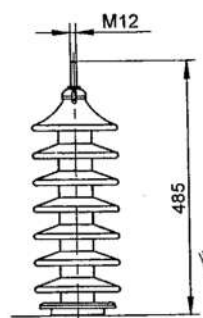


Outline Drawing

Technical Office
 No: TOT003030
 Opt: 01
 Date: 95.06.13



DT1/2000



33/250-900

- 1) Oil Conservator
- 2) Magnetic Oil level indicator (without contact)
- 3) Dehydrating breather
- 4) HV Bushing 33/250-900 (DIN 42531)
- 5) LV Bushing DT1/2000 (DIN 42530)
- 6) Off circuit tap changer
- 7) Lifting lugs for complete trans and active part
- 8) Terminal sheet
- 9) Rating plate
- 10) Oil drain and down sampling device (DIN 42551)
- 11) Earthing screw M12
- 12) Pulling lug $\phi 30$
- 13) Oil thermometer (With alarm & trip contacts)
- 14) Wheels (angle for rotation 90)
- 15) Filling cap for conservator
- 16) Drain for conservator

Weights
 Untanking : 1560 kg
 Oil : 660 kg
 Total : 2640 kg

Rating Power: 630 kVA
 Voltage Ratio: 33/0.4 kV
 Tender: Low Loss-AB'

Comment: Paint: RAL 7032

* Dimensions and weights are approx.

Design: *Rehane*

95.06.13

Control: *shaj*

95.6.13

Approval: *shaj*

95.6.13