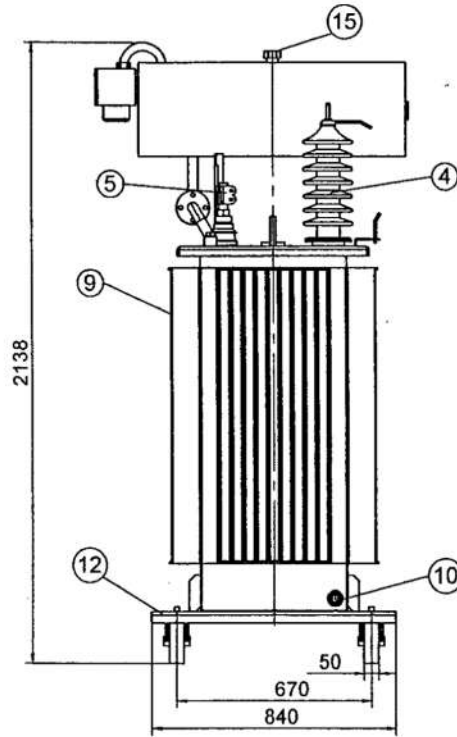
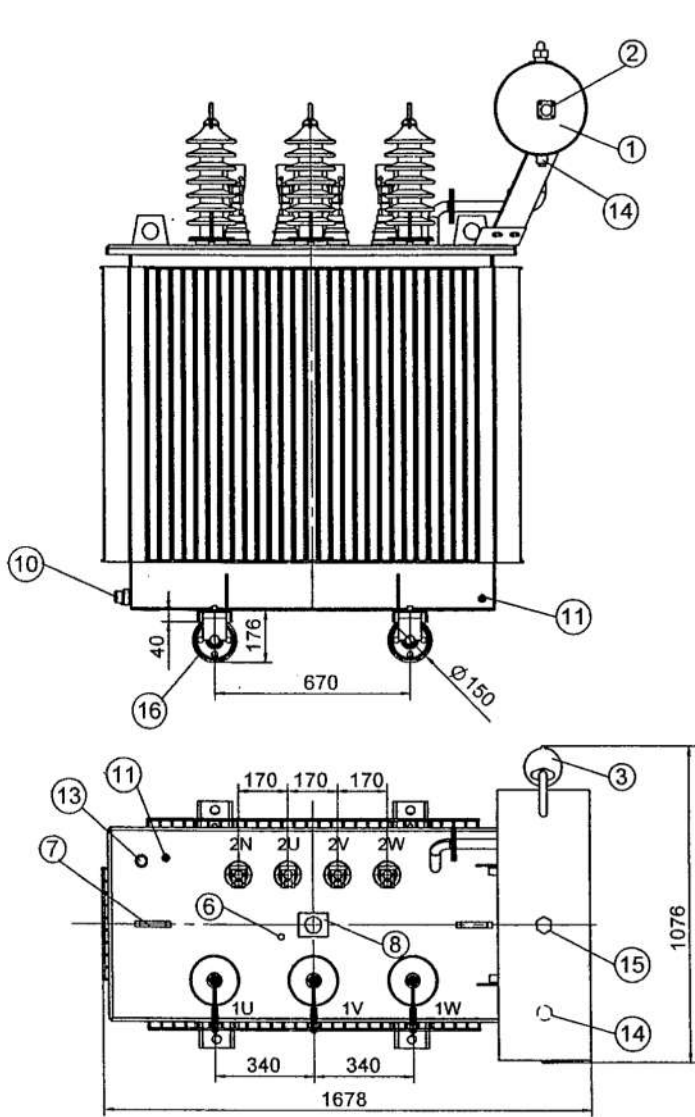
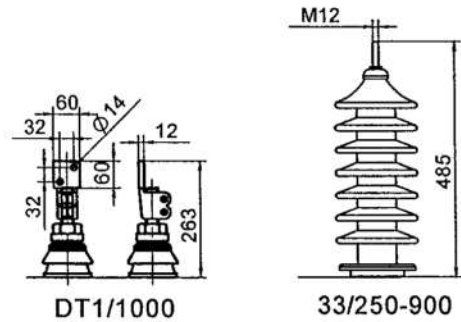


# Outline Drawing

Technical Office  
 No: TOT002643  
 Opt: 03  
 Date: 95.06.14



- 1) Oil Conservator
- 2) Magnetic Oil level indicator(without contact)
- 3) Dehydrating breather
- 4) HV Bushing 33/250-915
- 5) LV Bushing DT1/1000 (DIN 42530)
- 6) Off circuit tap changer
- 7) Lifting lugs for complete transformer and active part
- 8) Terminal sheet
- 9) Rating plate
- 10) Oil drain and down sampling device (DIN 42551)
- 11) Earthing screw M12
- 12) Pulling lug  $\phi 30$
- 13) Oil thermometer pocket
- 14) Drain for conservator
- 15) Filling cap for conservator
- 16) Wheels (angle for rotation 90°)



**Weights**

Untanking : 1325 kg  
 Oil : 570 kg  
 Total : 2230 kg

Rating Power: 500 kVA  
 Voltage Ratio: 33/ 0.4 kV  
 Tender: Low Loss-AB'

Comment: Paint: RAL 7032

\* Dimensions and weights are approx.

Design: *Rehail*

95.06.14

Control: *shaj*

95.6.14

Approval: *shaj*

95.6.14