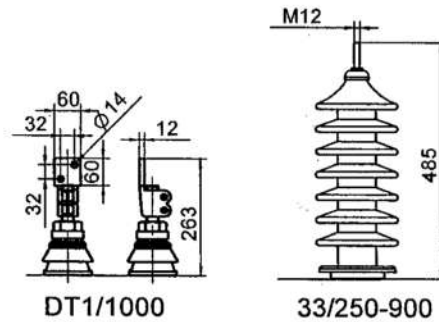


- 1) Oil Conservator
- 2) Magnetic Oil level indicator(without contact)
- 3) Dehydrating breather
- 4) HV Bushing 33/250-900
- 5) LV Bushing DT1/1000 (DIN 42530)
- 6) Off circuit tap changer
- 7) Lifting lugs for complete transformer and active part
- 8) Terminal sheet
- 9) Rating plate
- 10) Oil drain and down sampling device (DIN 42551)
- 11) Earthing screw M12
- 12) Pulling lug  $\phi 30$
- 13) Oil thermometer pocket
- 14) Drain for conservator
- 15) Filling cap for conservator
- 16) Wheels(angle for rotation 90°)

Weights

Untanking :	1102 kg
Oil :	479 kg
Total :	1860



Rating Power: 400 kVA  
 Voltage Ratio: 33/ 0.4 kV  
 Tender: Low Loss - AB'

Comment: Paint: RAL 7032

\* Dimensions and weights are approx.

Design: Bahari

95.6.14

Control:

95.6.14

Approval:

95.6.14