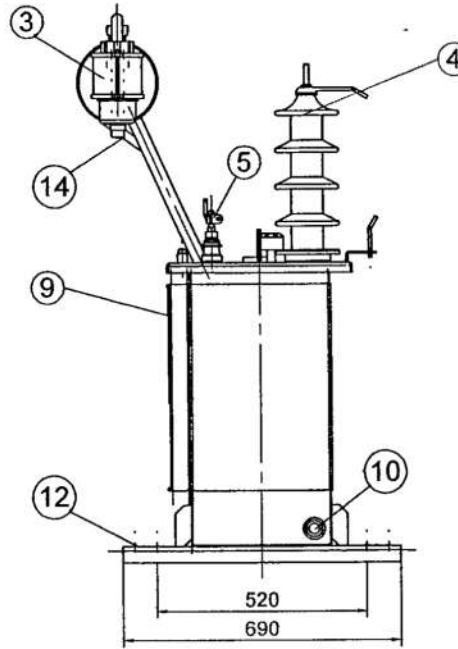
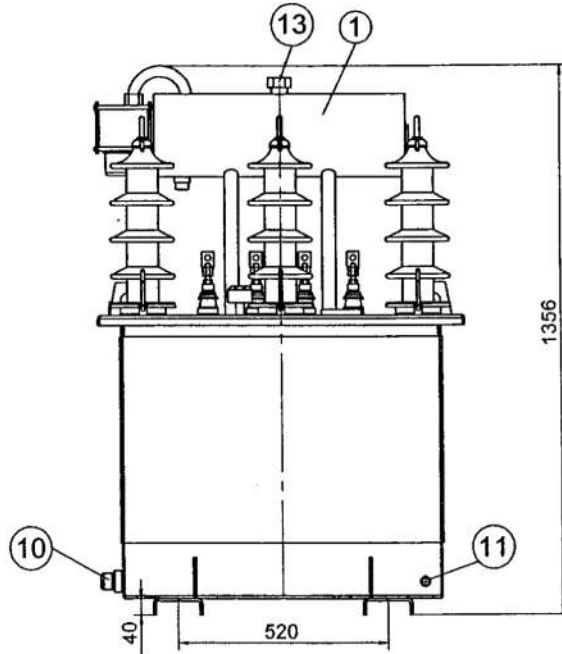


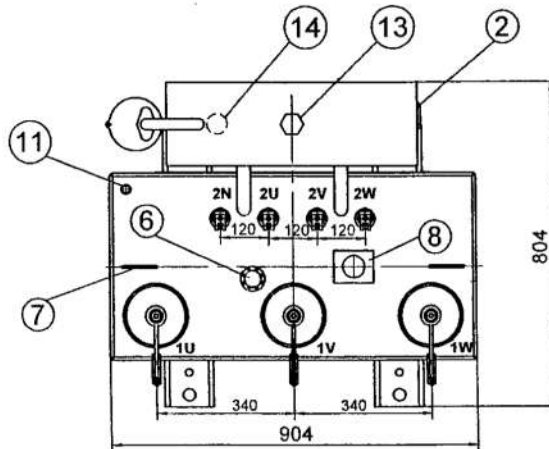


Outline Drawing

Technical Office
 No: TOT002635
 Opt: 03
 Date: 95.06.14



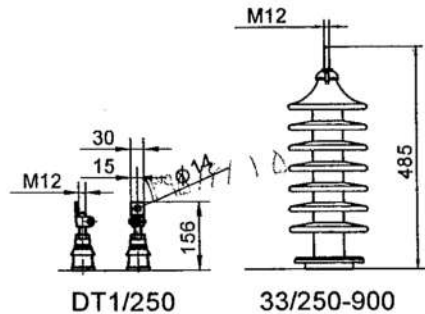
- 1) Oil Conservator
- 2) Magnetic Oil level indicator(without contact)
- 3) Dehydrating breather
- 4) HV Bushing 33/250-900
- 5) LV Bushing DT1/250 (DIN 42530)
- 6) Off circuit tap changer
- 7) Lifting lugs for complete transformer and active part
- 8) Terminal sheet
- 9) Rating plate
- 10) Oil drain and down sampling device (DIN 42551)
- 11) Earthing screw M12
- 12) Pulling lug ϕ 30
- 13) Filling cap for conservator
- 14) Drain for conservator



Weights

Untanking : 265 kg
 Oil : 135 kg
 Total : 460 kg

Rating Power: 25 kVA
 Voltage Ratio: 33/ 0.4 kV
 Tender: Low Loss-AB'



Comment: Paint: RAL 7032

* Dimensions and weights are approx.

Design: Alimartari

95.6.14

Control: *AL*

95.6.14

Approval: *[Signature]*

95.6.14