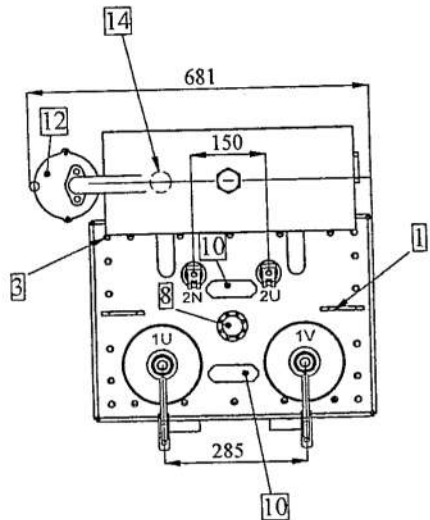
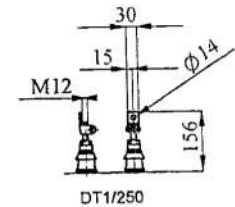
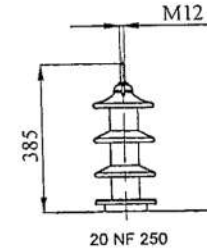


- 1) Lifting lugs for complete transformer & active part
- 2) Oil drain & down sampling device (DIN42551)
- 3) Earthing screw M12
- 4) Rating Plate
- 5) Oil conservator
- 6) LV Bushing DT1/250 (GD-333) (DIN 42530)
- 7) HV Bushing 20NF250(G.D-334)(DIN42531)
- 8) Off circuit tap changer
- 9) Pulling lug $\varnothing 18$
- 10) Terminal sheet
- 11) Magnetic oil level indicator (without contact)
- 12) Dehydrating breather (GD-603)
- 13) Filling cap for conservator
- 14) Drain for conservator

Voltage ratio: $20 \pm 4\% / 0.2309$ KV
 Vector group: $Ii0$
 Frequency: 50 Hz
 Cooling method: ONAN
 Transformer color: RAL7032

Weights :

Core & winding :	64 kg
Untanking :	126 kg
Oil :	65 kg
Total :	233 kg



ابعاد و مشخصات ترانسفورماتور توزیع روغنی تکفاز با منبع انبساط : قدرت ۱۵kVA