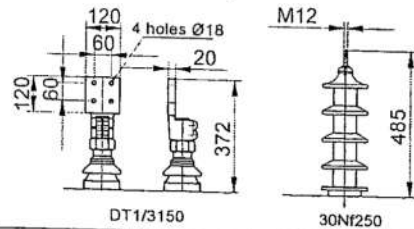
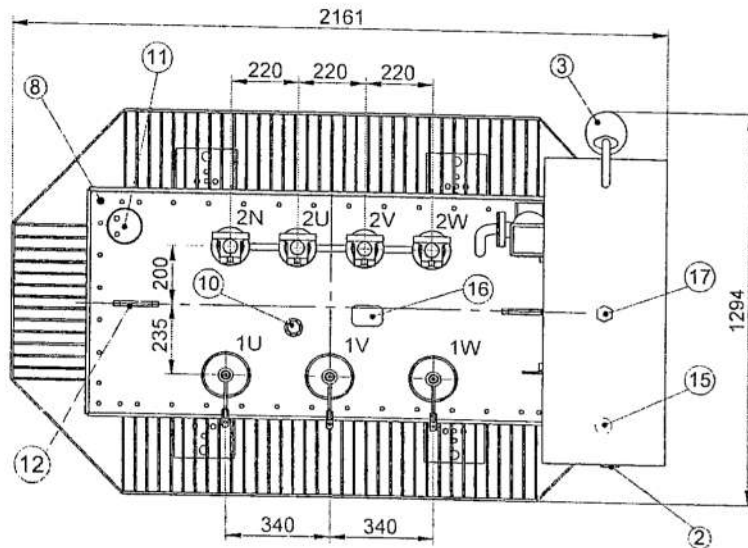


- 1) Oil Conservator
- 2) Magnetic Oil level indicator (without contact)(L=156)
- 3) Dehydrating breather (G.D-603)
- 4) LV Bushing DT1/3150 (GD-333) (DIN 42530)
- 5) Rating Plate
- 6) Pulling lug $\varnothing 30$
- 7) Oil drain & down sampling device (DIN42551)
- 8) Earthing screw M12
- 9) Wheels (Angle for rotation 90°)(GD-502)
- 10) Off circuit tap changer
- 11) Oil thermometer (with alarm & trip contacts)-R1"
- 12) Lifting lugs for complete transformer and active part
- 13) HV Bushing 30NF/250 (GD-334) (DIN 42531)
- 14) Buchholz relay (with alarm and trip contacts)(DR25)(DIN42566)
- 15) Drain for conservator
- 16) Terminal sheet
- 17) Filling cap for conservator

Voltage ratio : $33 \pm 2 \times 2.5\% / 0.4$ kV
 Vector group : Dyn1
 Frequency : 50 Hz
 Cooling method : ONAN
 Transformer color : RAL7032



Weights :

Untanking : 2327 kg
 Core & winding : 1909 kg
 Oil : 1132 kg
 Total : 4745 kg

Comment : ۱۳۹۶/۱۲/۱۹ ۱۳۹۵/۱۱/۱۳	Tolerances according to:		Superficial Tolerances		Ordered by نزال بیند	Power 1600 kVA R30
	DIN ISO 2768-C		DIN ISO 1302			
	95	Date	Name		Title Outline Drawing	Scale 1/25
	Dsgn	8.25	Azizkhan			
	Cntrl	8.29	Azizkhan			
Appr	9.1	[Signature]		Drawing no. KTD018017	Page 1/1	
Index	Changes	Date	Name	Appr	Ref. no. KTB1384	

