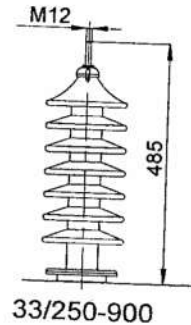
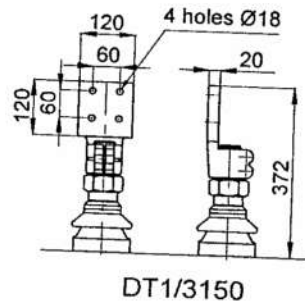
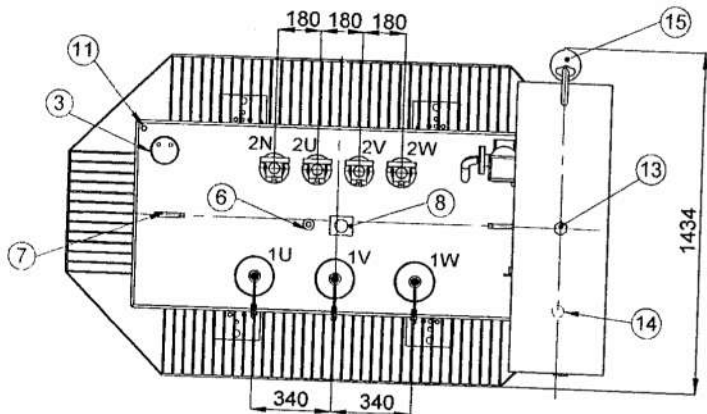
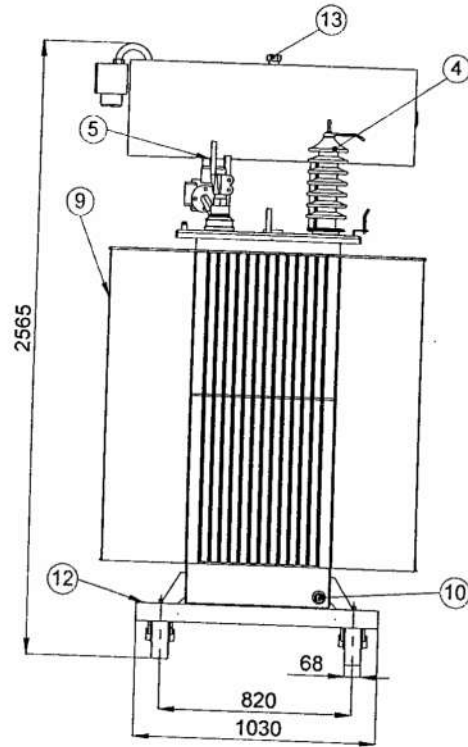
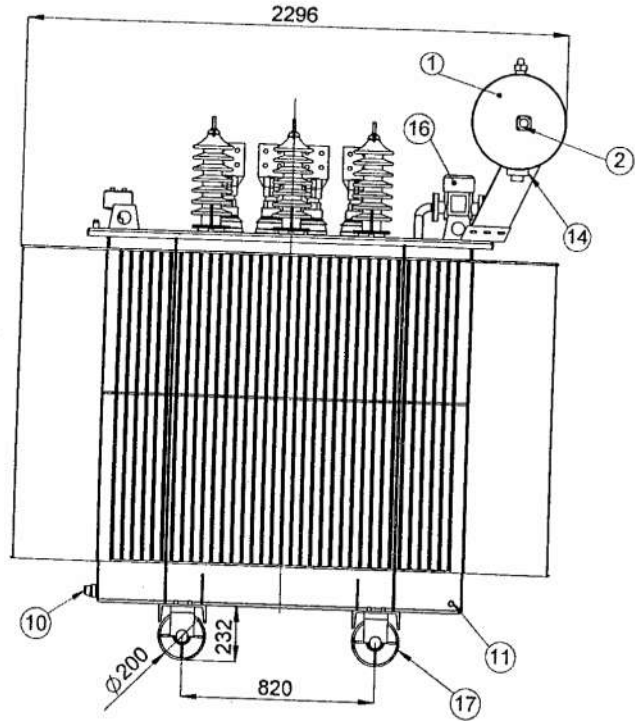




Outline Drawing

Technical Office
 No: TOT003034
 Opt: 01
 Date: 95.06.11



- 1) Oil conservator
- 2) Magnetic oil level indicator (without contact)
- 3) Oil thermometer (With alarm & trip contacts)-R1"
- 4) HV Bushing 33/250-900 (DIN42531)
- 5) LV Bushing DT1/3150 (DIN42530)
- 6) Off circuit tap changer
- 7) Lifting lugs for complete trans and active part
- 8) Terminal sheet
- 9) Rating plate
- 10) Oil drain and down sampling device (DIN 42551)
- 11) Earthing screw M12
- 12) Pulling lug $\varnothing 30$
- 13) Filling cap for conservator
- 14) Drain for conservator
- 15) Dehydrating breather
- 16) Buchholz relay (With alarm & trip contacts)-DR25
- 17) Wheels (Angle for rotation 90°)

Weights

Untanking : 2890 kg
 Oil : 1170 kg
 Total : 5460 kg

Rating Power: 1600 kVA
 Voltage Ratio: 33 / 0.4 kV
 Tender: Low Loss AB'

Comment: Paint: RAL 7032

* Dimensions and weights are approx.

Design: *Yousef*

95.06.11

Control: *Shay*

95.06.11

Approval: *Shay*

95.06.11

Date : 89.04.22
 Prep. No. : 1