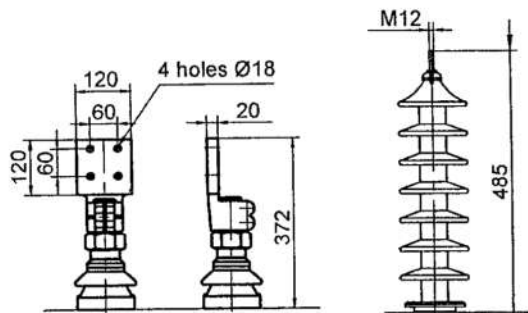
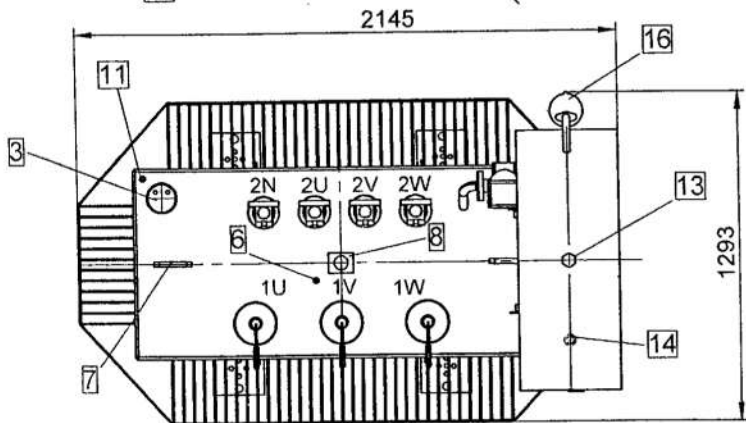


- 1) Oil conservator
- 2) Magnetic oil level indicator (without contact)
- 3) Oil thermometer (with alarm & trip contacts)-R1"
- 4) HV Bushing 33/250-900
- 5) LV Bushing DT1/3150 (DIN 42530)
- 6) Off circuit tap changer
- 7) Lifting lugs for complete trans and active part
- 8) Terminal sheet
- 9) Rating plate
- 10) Oil drain and down sampling device (DIN 42551)
- 11) Earthing screw M12
- 12) Pulling lug $\phi 30$
- 13) Filling cap for conservator
- 14) Drain for conservator
- 15) Buchholz relay (with alarm & trip contacts)(DN25)
- 16) Dehydrating breather
- 17) Wheels (Angle for rotation 90°)



DT1/3150

33-250-900

Weights

Untanking :	2440 kg
Oil :	985 kg
Total :	4525 kg

Rating Power: 1250 kVA
 Voltage Ratio: 33/0.4 kV
 Tender: Low Loss-AB'

Comment: Paint: RAL 7032

* Dimensions and weights are approx.

Design: Bahari 95.6.11

Control: *AL*

95.6.14

Approval: *AL*

95.6.14