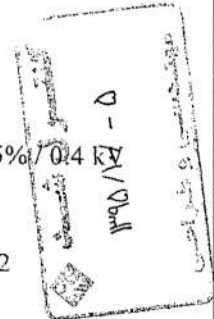
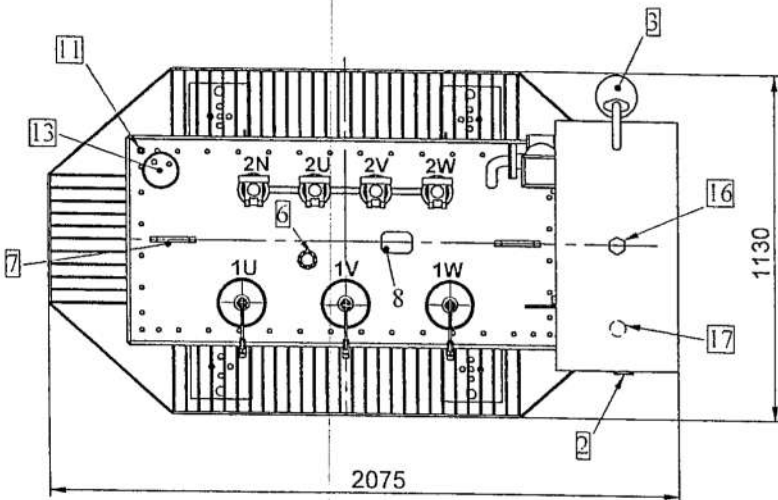
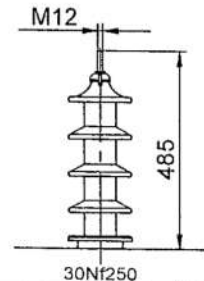
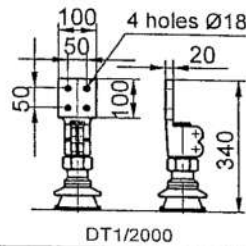


- 1) Oil Conservator
- 2) Magnetic Oil level indicator (without contact)
- 3) Dehydrating breather (G.D-603)
- 4) LV Bushing DT1/2000 (GD-333) (DIN 42530)
- 5) HV Bushing 30NF250 (GD-334) (DIN 42531)
- 6) Off circuit tap changer
- 7) Lifting lugs for complete transformer & active part
- 8) Terminal sheet
- 9) Rating Plate
- 10) Oil drain & down sampling device (DIN42551)
- 11) Earthing screw M12
- 12) Pulling lug  $\varnothing 30$
- 13) Oil thermometer (with alarm & trip contacts)-R1"
- 14) Buchholz relay (with alarm and trip contacts)(DR25)
- 15) Wheels (angle for rotation  $90^\circ$ )(GD-502)
- 16) Filling cap for conservator
- 17) Drain for conservator

Voltage ratio:  $33 \pm 2 \times 2.5\%$  / 0.4 KV  
 Vector group: Dyn1  
 Frequency: 50 Hz  
 Cooling method: ONAN  
 Transformer color: RAL7032



**Weights :**  
 Core & Winding : 1329 kg  
 Untanking : 1641 kg  
 Oil : 798 kg  
 Total : 3345 kg



Comment :  11/29/19	Tolerances according to: DIN ISO 2768-C	Superficial Tolerances DIN ISO 1302	Ordered by نرال بیس	Power 1000 kVA R30
	95 Date Dsgn 10.1 Rebec	Name	Title <b>Outline Drawing</b>	Scale 1/23
	Cntrl 10.2 Yousuf	Appr 10.4 J...	Drawing no. KTD018205	Page 1/1
	Kooshikan Transformers		Ref. no. KTB1382	
	Index Changes Date Name Appr			