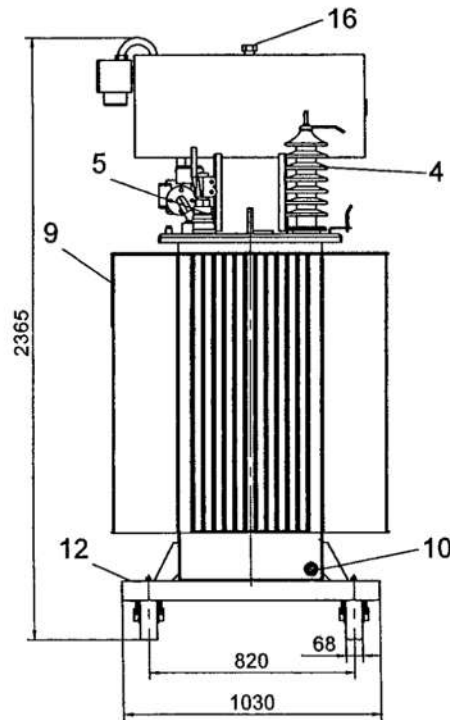
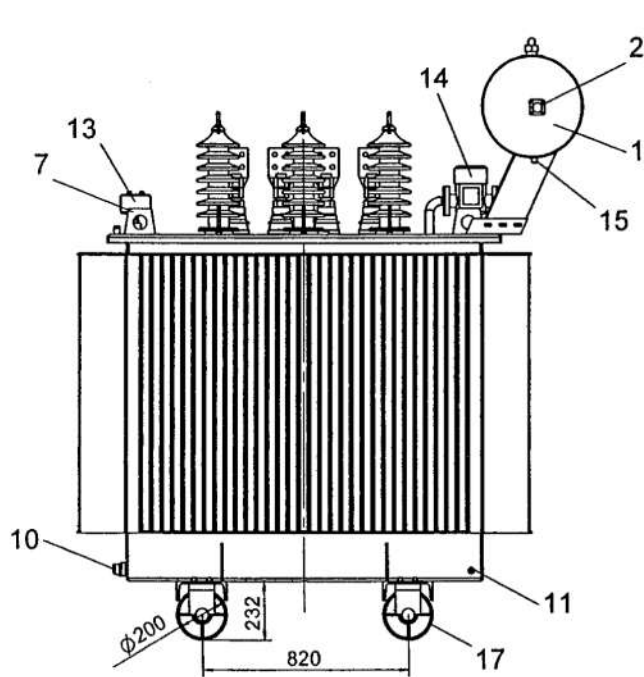
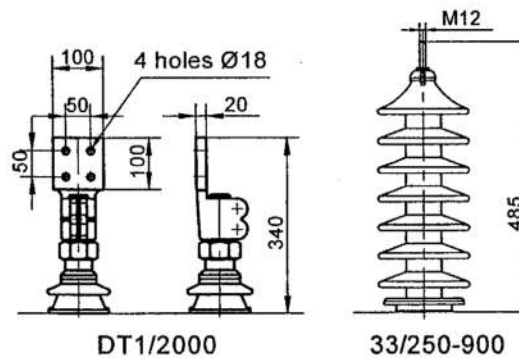
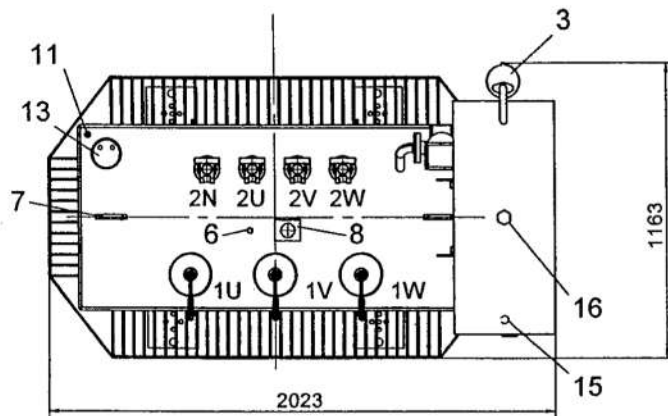


Outline Drawing

Technical Office
 No: TOT003032
 Opt: 01
 Date: 95.06.11



- 1) Oil Conservator
- 2) Magnetic Oil level indicator(without contact)
- 3) Dehydrating breather
- 4) HV Bushing 33/250-900 (DIN 42531)
- 5) LV Bushing DT1/2000 (DIN 42530)
- 6) Off circuit tap changer
- 7) Lifting lugs for complete transformer and active part
- 8) Terminal sheet
- 9) Rating plate
- 10) Oil drain and down sampling device (DIN 42551)
- 11) Earthing screw M12
- 12) Pulling lug ϕ 30
- 13) Oil thermometer (With alarm and trip contacts)
- 14) Buchholz relay (alarm & trip contacts)
- 15) Drain for conservator
- 16) Filling cap for conservator
- 17) Wheels (Angle for rotation 90)



Weights
 Untanking : 2075 kg
 Oil : 855 kg
 Total : 3755 kg

Rating Power: 1000 kVA
 Voltage Ratio: 33/ 0.4 kV
 Tender: Low Loss-AB'

Comment: Paint: RAL 7032

* Dimensions and weights are approx.

Design: *Rezaee*

95.06.11

Control: *shoj*

95. 6 . 11

Approval: *shoj*

95. 6 . 11